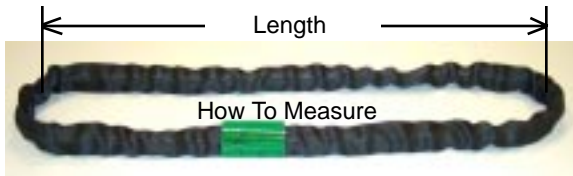
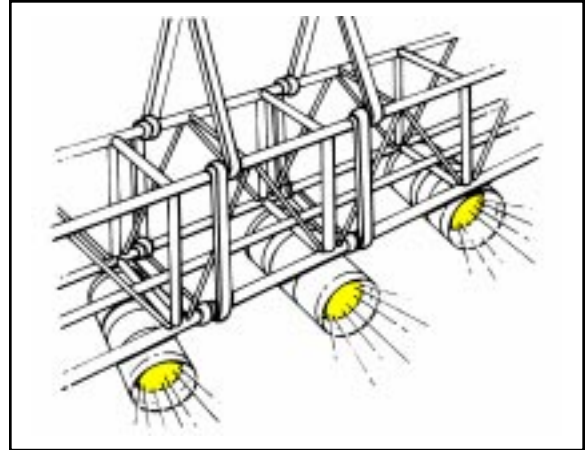


STAGE SLINGS - BLACK

These lightweight roundslings are ideal for easy and inconspicuous suspension of stage sound and lighting equipment. Black sleeve material helps sling blend into its surroundings. *Lift-All* Stage Slings maintain the basic *Tuflex* features, advantages and benefits except that the color coding of the slings is achieved by using a color coded identification tag. Double Wall (BS2) sleeve material is standard.



	Code	Rated Capacity (lbs.)*			Minimum Length (ft.)	Approximate Measurements		
		Vertical	Choker	Basket		Weight (lbs. / ft.)	Body Dia. Relaxed (in.)	Width at Load (in.)
Polyester Stage Sling	BS2-EN30	2,600	2,100	5,200	1 1/2	.2	5/8	1 1/8
	BS2-EN60	5,300	4,200	10,600	1 1/2	.3	7/8	1 1/2
	BS2-EN90	8,400	6,700	16,800	3	.4	1 1/8	1 7/8
Steelflex	GAC-EN60	5,300	4,200	10,600	3	.75	7/8	1 1/2
	GAC-EN90	8,400	6,700	16,800	3	1.2	1 1/8	1 7/8